

JBS Guide collets

for double cone and pull systems



*We start there
where others have to give up!*

JBS System GmbH
Mühlenkoppel 9
D-24222 Schwentinental

www.jbs-system.com
info@jbs-system.com

Tel: +49 431 530356-0

Guide bushing collets for the JBS flexible guide bush system

The JBS guide bushing collets are suitable for all materials. Where, the choice of collet depends on the type of material and dimensions needed. The JBS Collets can machine most materials ranging from plastics to high alloyed steels.

The JBS guide bushing collets together with the features of the unit makes it possible to machine both ground and unground material according to DIN 1013.

The JBS collets run synchronously to the spindle. The collet adapts itself during machining with for bar contact and centerline-parallel to the material to be processed. Changing collets is done quickly, where the average time is no more than 2-3 minutes. The time-consuming and complicated adjustment of the guide bushing isn't longer necessary.

We have more than 6.000 different models of guide bushing collets in stock. Non stocked items can be supplied with a short delivery time.



The double-cone collets

suitable for all JBS double cone guide bushes- systems.

- The optimal collets for material with high tolerances,
- can be used as clamping and guiding collets.
- It is constructed of 3 segments and is supported by springs and rings.
- The adjustment range of the flexible double cone collets are ± 0.4 mm

The pull collets

suitable for all JBS pull guide bush systems.

Consists of 3 segments and is supported by springs and O-rings

- Higher concentricity accuracy
- Higher rigidity during milling
- Low contamination of the collets compared to the double-cone system
- The adjustment range of the flexible pull collets are $+ 0.1/-0.3$ mm



All guide bushing collets are available with truerunning accuracy

Material recommendations for JBS guide collets

Which material do you process?

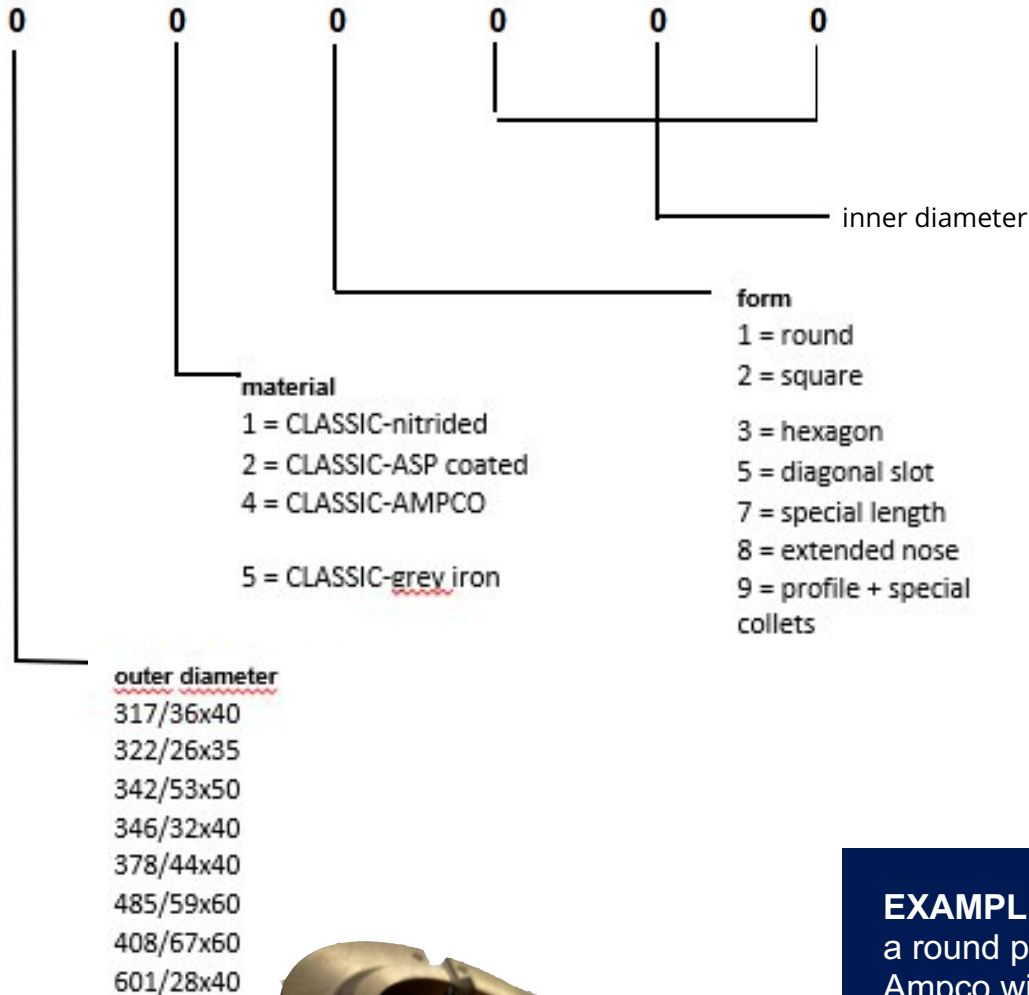
We have the optimal collets for every material

	Classic Grey iron	Classic Ampco®	Classic nitrided
Your material ↓	for material with high tolerances	brass bronze alloy	the resistant variante
Machining steel	✓	✓	
Titanium		✓	
Chrome steel		✓	
Brass	✓	✓	
Aluminium			✓
Plastic	✓		
Copper			✓

Coated guide collets on request.
We advise you!

It's easy to order the right pull collets

Our article key for pull guide collets

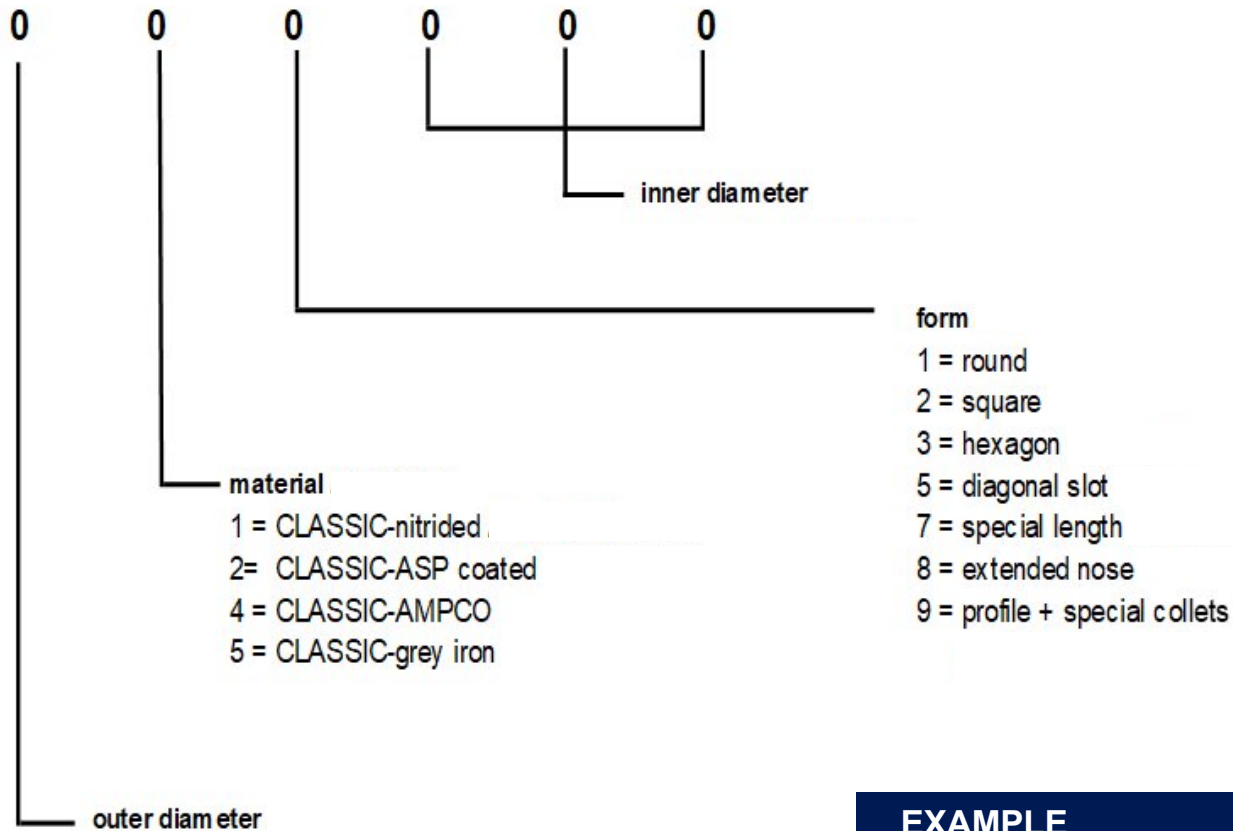


EXAMPLE

a round pull-type collet made of Ampco with external dimensions 53x50 and internal diameter 12.5 is type 342 material 4 form 1 internal diameter 125
= Article No. 342 4 1 125

Profile, synthetic or special collet on request

Our article key for double guide collets



- 1 = 28 x 40
- 2 = 33 x 40
- 3 = 42 x 50
- 6 = 48 x 60
- 7 = 24 x 35



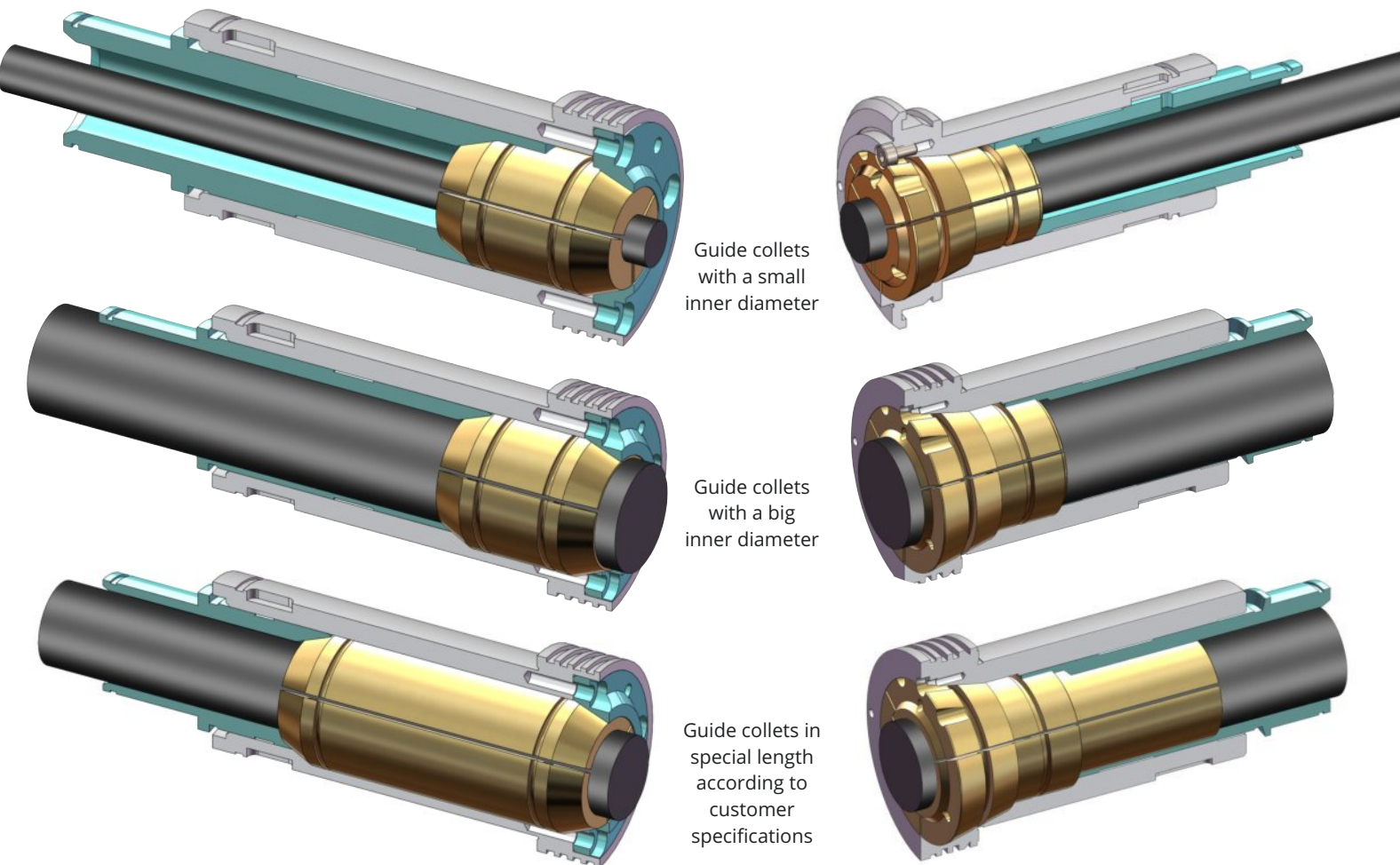
EXAMPLE

a round nitrided double cone collet with external dimensions 42x50 and internal diameter 12.5 is type 3 material 1 form 1 internal diameter 125 = Article No. 3 1 1 125

Profile, synthetic or special collet on request

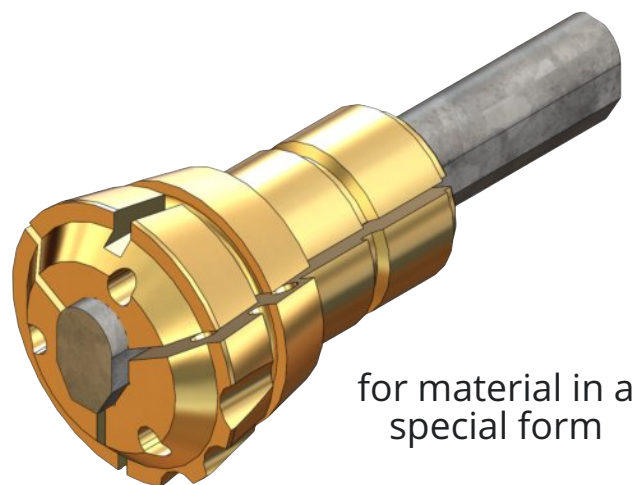
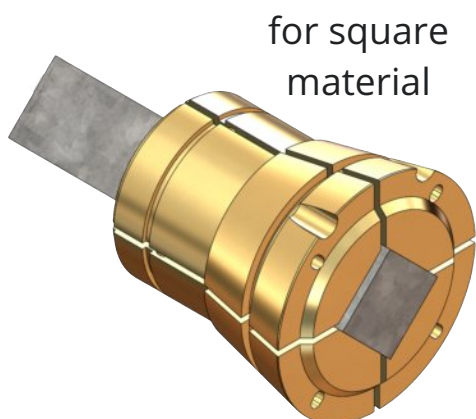
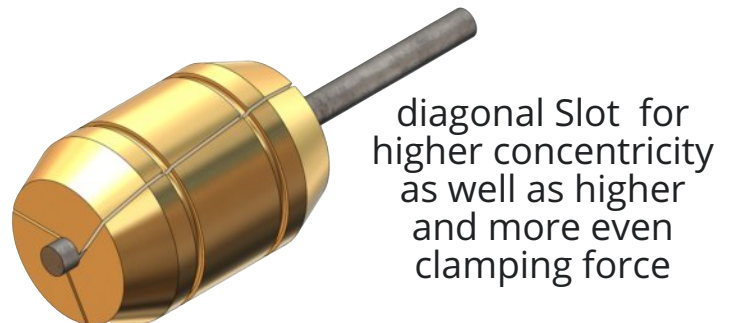
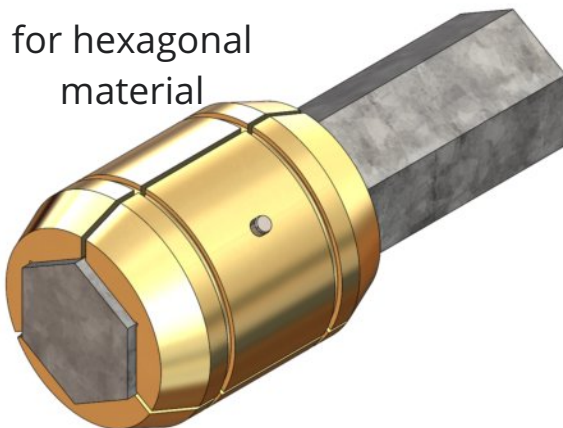
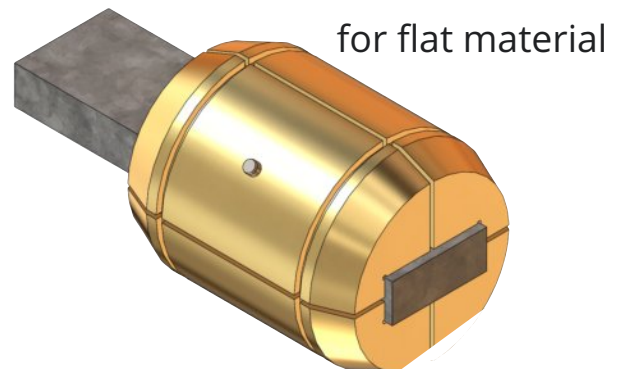
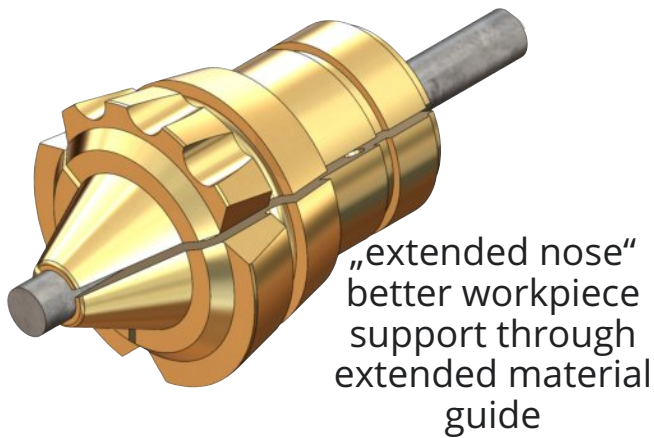
The model variants of the JBS guide collets

The JBS guide collets are available as double-cone or pull-type collet in various versions and special lengths



The JBS special collets

all models are available as a double cone or pull version



Any kind of special collets possible!
We manufacture according to your
requirements. Contact us, we will submit
an offer to you!